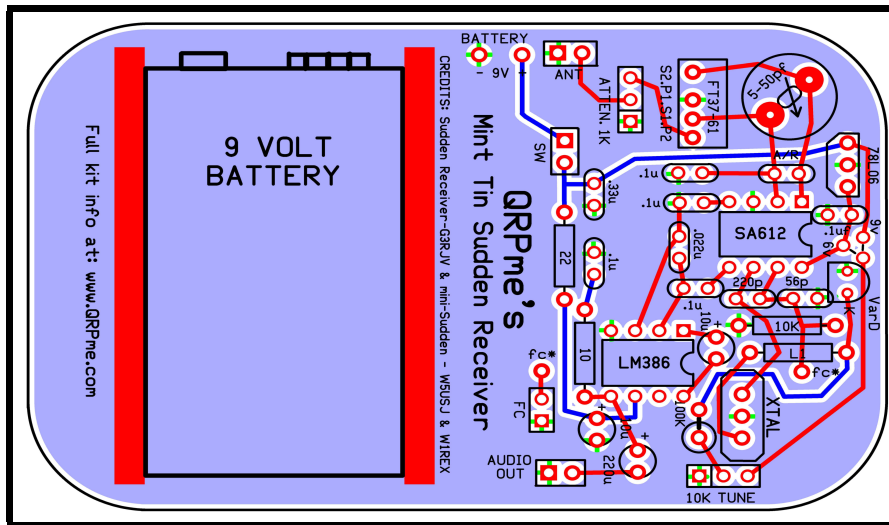


Mini-SUDDEN RECEIVER



PARTS LIST

RESISTORS:

10 OHM
22 OHM
10K OHM
100K OHM
1K OHM TRIMMER POT
10K OHM TRIMMER POT

CAPACITORS:

56pf
220pf
.022uf
.1uf QTY=5
.33uf
10uf ELECTROLYTIC QTY=2
220uf ELECTROLYTIC
5-50pf TRIMMER CAP

SEMICONDUCTORS:

LM78L06 6V REGULATOR
BB910 VARACTOR DIODE
LM386-4 AUDIO AMPLIFIER
SA612 MIXER CHIP

INDUCTORS:

10uh AXIAL CHOKE

MISCELLANEOUS:

FT37-61 TOROID
8pin DIP IC SOCKET QTY=2
3pin SIP SOCKET
1x3x.1" MALE HEADER
1x2x.1" MALE HEADER QTY=4
1x2x.1" FEM.SHELL QTY=3
.1" TERMINALS QTY=6
1x2x.1" JUMPER
14.060 CRYSTAL
PRINTED CIRCUIT BOARD
16" #26 RED MAGNET WIRE
10" #26 GREEN MAGNET WIRE
9V BATTERY SNAP